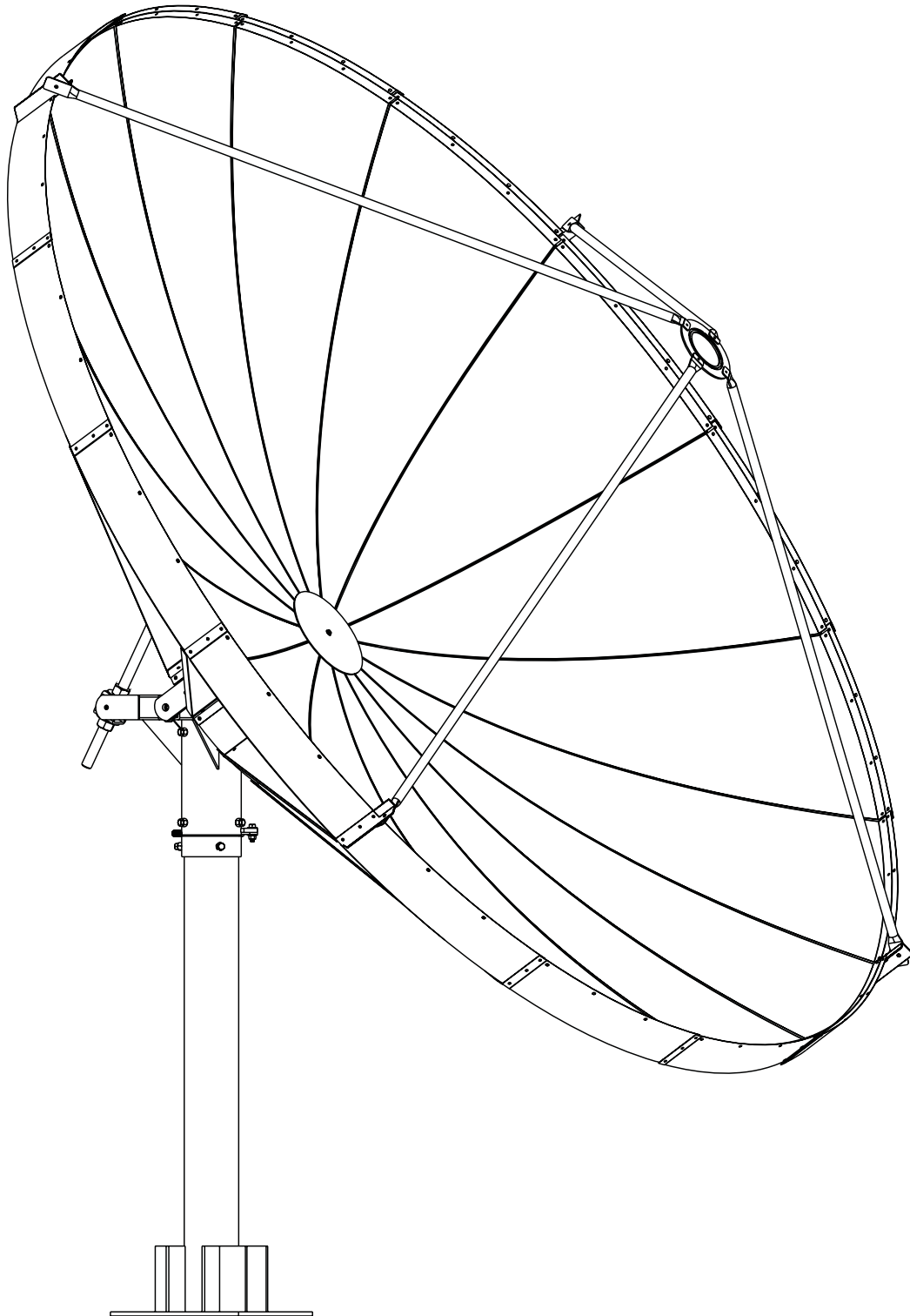


4.5m Prime Focus Antenna System Az-El Mount Assembly Manual





LIMITED TWELVE (12) MONTH WARRANTY

This CHALLENGER COMMUNICATIONS, LLC ("CHALLENGER") equipment is warranted to be free from defects in material and workmanship under normal use and service. CHALLENGER shall repair or replace defective equipment, at no charge, or at its option, refund the purchase price, if the equipment is returned to CHALLENGER not more than twelve (12) months after shipment. Removal or reinstallation of equipment and its transportation shall not be at cost of CHALLENGER except CHALLENGER shall return repaired or replaced equipment freight prepaid.

This Warranty shall not apply to equipment which has been repaired or altered in any way so as to affect its stability or durability, or which has been subject to misuse, negligence or accident. This Warranty does not cover equipment which has been impaired by severe weather conditions such as excessive wind, ice, storms, lightning, or other natural occurrences over which CHALLENGER has no control, and this Warranty shall not apply to equipment which has been operated or installed other than in accordance with the instructions furnished by CHALLENGER.

Claimants under this Warranty shall present their claims along with the defective equipment to CHALLENGER immediately upon failure. Noncompliance with any part of this claim procedure may invalidate this warranty in whole or in part.

THIS WARRANTY IS EXPRESSLY IN LIEU OF ALL OTHER AGREEMENTS AND WARRANTIES, ANY IMPLIED WARRANTY OF MERCHANTABILITY OR FITNESS FOR A PARTICULAR PURPOSE IS LIMITED IN DURATION TO THE DURATION OF THIS WARRANTY. CHALLENGER DOES NOT AUTHORIZE ANY PERSON TO ASSUME FOR IT THE OBLIGATIONS CONTAINED IN THIS WARRANTY AND CHALLENGER COMMUNICATIONS NEITHER ASSUMES NOR AUTHORIZES ANY REPRESENTATIVE OR OTHER PERSON TO ASSUME FOR IT ANY OTHER LIABILITY IN CONNECTION WITH THE EQUIPMENT DELIVERED OR PROVIDED.

IN NO EVENT SHALL CHALLENGER BE LIABLE FOR ANY LOSS OF PROFITS, LOSS OF USE, INTERRUPTION OF BUSINESS, OR INDIRECT, SPECIAL OR CONSEQUENTIAL DAMAGES OF ANY KIND.

In no event shall CHALLENGER be liable for damages in an amount greater than the purchase price of the equipment.

Some states do not allow limitations on how long an implied warranty lasts, or allow the exclusion or limitation of incidental or consequential damages, so the above limitations or exclusions may not apply to you.

CHALLENGER has the right to void the warranty when the antenna is installed by someone other than a certified installer.

Product Serial Number: _____

Date Purchased: _____

Challenger Communications
704 North Clark Street
Albion, Michigan 49224 USA
Tel: (01) 517 680 0125
Fax: (01) 517 680 0133

info@challengercommunications.com
www.ChallengerCommunications.com

IMPORTANT!!!

INSTALLATION OF THIS PRODUCT SHOULD BE PERFORMED ONLY BY A PROFESSIONAL INSTALLER AND IS NOT RECOMMENDED FOR CONSUMER D.I.Y. (DO-IT-YOURSELF) INSTALLATIONS.

WATCH FOR WIRES!

Installation of this product near power lines is dangerous. For your own safety, follow these important safety rules.

1. Perform as many functions as possible on the ground.
2. Watch out for overhead power lines. Check the distance to the power lines before starting installation. We recommend you stay a minimum of 6 meters (20 feet) from all power lines.
3. Do not use metal ladders.
4. Do not install antenna or mast assembly on a windy day.
5. If you start to drop antenna or mast assembly, get away from it and let it fall.
6. If any part of the antenna or mast assembly comes in contact with a power line, call your local power company. DO NOT TRY TO REMOVE IT YOURSELF! They will remove it safely.
7. Make sure that the mast assembly is properly grounded.

WARNING

Assembling dish antennas on windy days can be dangerous. Because of the antenna surface, even slight winds create strong forces. For example, a 1.0m antenna facing a wind of 32 km/h (20 mph) can undergo forces of 269 N (60 lbs.). Be prepared to safely handle these forces at unexpected moments. Do not attempt to assemble, move or mount dish on windy days or serious, even fatal accidents may occur. CHALLENGER is not responsible or liable for damage or injury resulting from antenna installations.

RECOMMENDATION

CHALLENGER COMMUNICATIONS highly recommends the application of anti-seize wax on all antenna and mount hardware upon installation.

Introduction

Thank you for purchasing your Challenger Communications product. We trust that you will find this to be a well designed product that will provide many years of reliable service. Please read this manual thoroughly before beginning assembly. For best results in the assembly process, perform each step in the same sequence as listed in this manual. Record the serial number of the unit on to page two for future reference and read the warranty information. The serial number plate can be found on the hub.

Unpacking and Inspection

Shipping cartons should be unpacked and contents checked for damaged or missing parts. Should there be any parts that are damaged or missing, please contact technical support for replacement.

Site Selection

The main objective of conducting a site survey utilizing a compass and inclinometer is to choose a mounting location on the ground that will give you the greatest amount of swing for azimuth and elevation for present as well as future use. A thorough pre-installation site survey is strongly recommended because it can alert you to any "look angle," soil, wind or other problems.

The first and most important consideration when choosing a prospective antenna site is whether or not the area can provide an acceptable "look angle" to the satellite. A site with a clear, unobstructed view facing south, southeast is required. Your antenna site must be selected in advance so that you will be able to receive the strongest signal available. Also consider obstructions that may occur in the future such as the growth of trees.

It is important to conduct an on-site survey with a portable antenna or with a compass and clinometer to avoid interference, obstructions, etc.

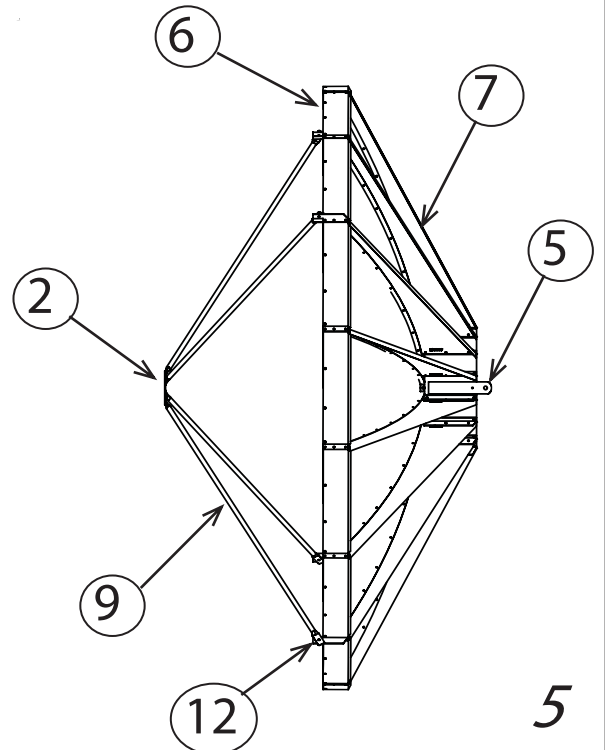
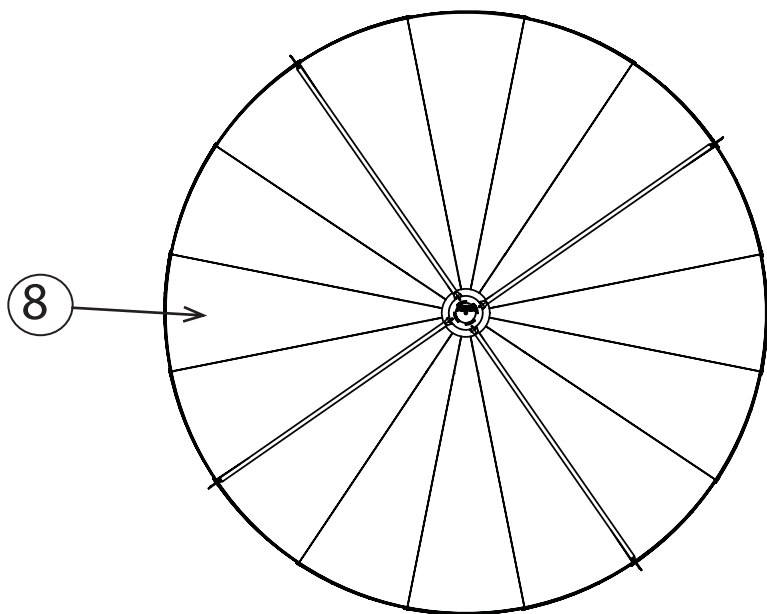
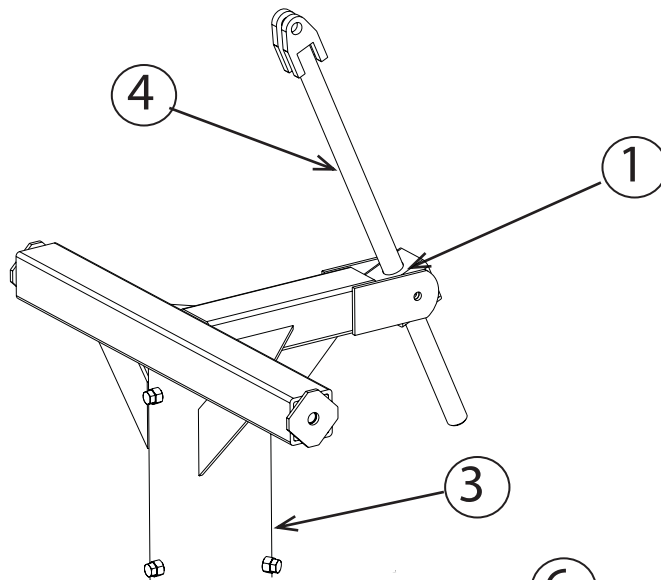
When selecting "look angle," be sure to observe and take readings approximately 10 deg to the left and right, above and below your selected "look angle."

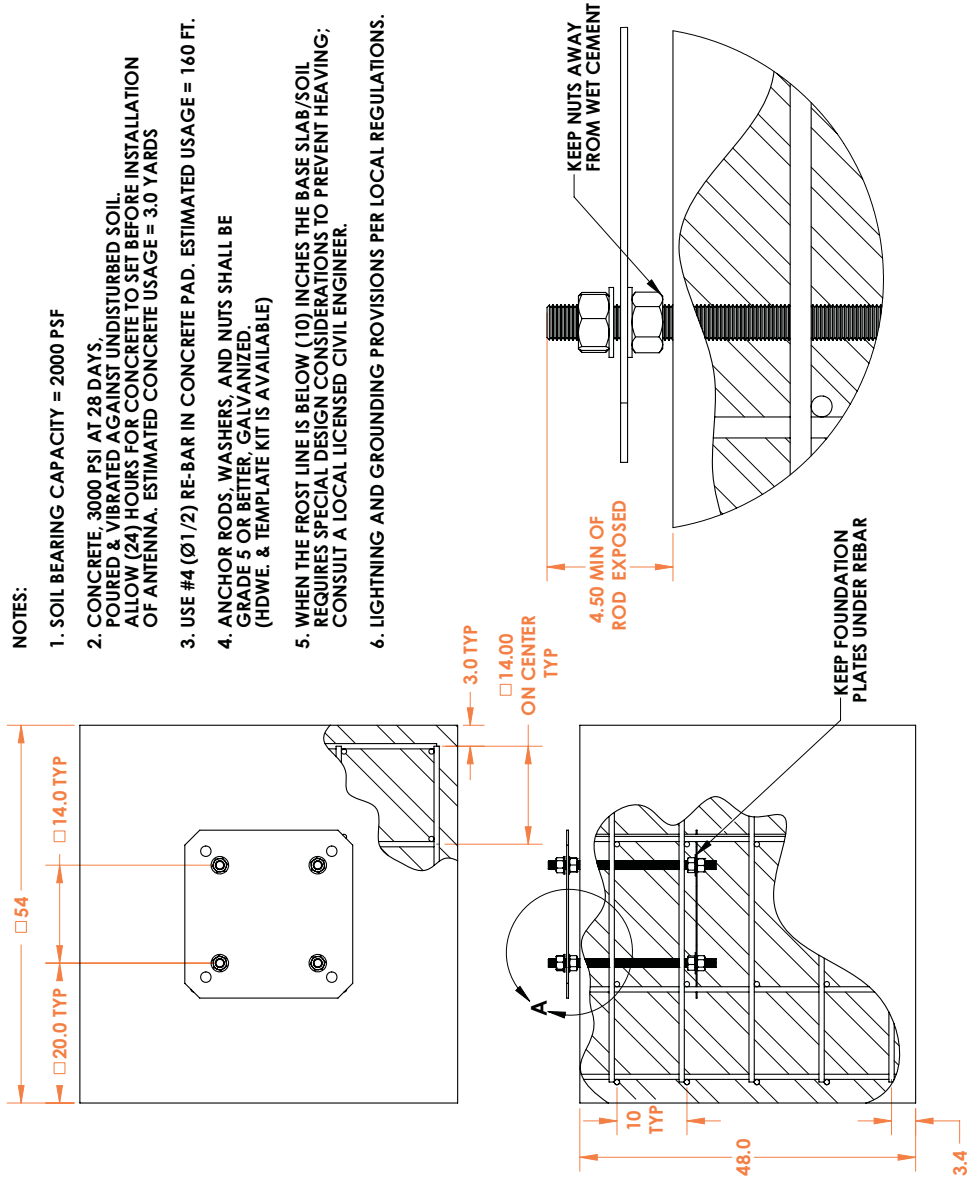
Before Ground Pole Installation, the soil type should be checked because soil conditions vary widely in composition and load bearing capacity. A soil check will help you to determine the type and size of foundation required to provide a stable base for the antenna.

Before digging is done, information regarding the possibility of underground telephone lines, power lines, storm drains, etc., in the excavation area should be obtained from the appropriate agency.

As with any other type of construction, a local building permit may be required before installing an antenna. It is the property owner's responsibility to obtain any and all permits. Ground mounts are certified for 125 mph wind survival.

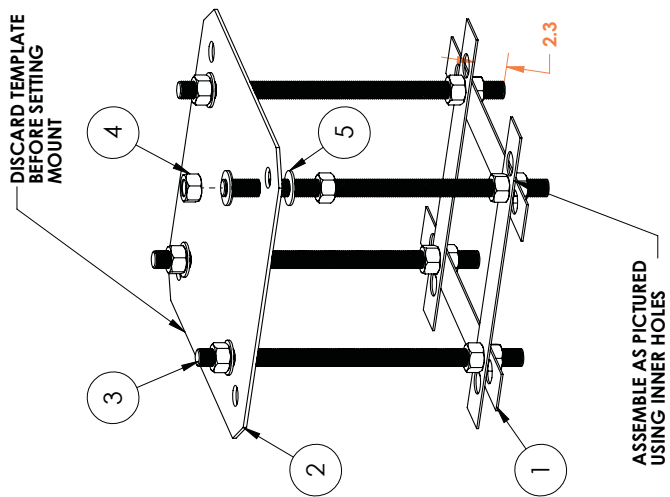
ITEM #	PART#	DESCRIPTION	QTY	REV
1	38P-AZ12	BLOCK, 3.1 PIVOT GALV	1	000
2	450-0001	PLATE, C-BAND 3.1/3.8/4.5	1	000
3	45P-AZ	ASSY, 4.5 AZ/EL MOUNT	1	000
(See Page 7 for further break down on this item)				
4	45P-AZA2	ASSY, 4.5 THREADED ROD	1	000
5	CHA-45P-H	4.5 HUB ASSY	1	000
6	450-0005	4.5 OUTBOARD SKIRT	16	000
7	450-0002	4.5 RADIAL BEAM	16	000
8	450-0009	4.5 PETAL	16	000
9	450-0003	4.5 STANDARD FEED STRUT	4	000
10	38P-0006	PLATE, CENTER 3.8	1	000
11	450-0007	4.5 FEED STRUT ANGLE	4	000
PG 8	45H-0006	4.5 HUB ANGLE	16	000

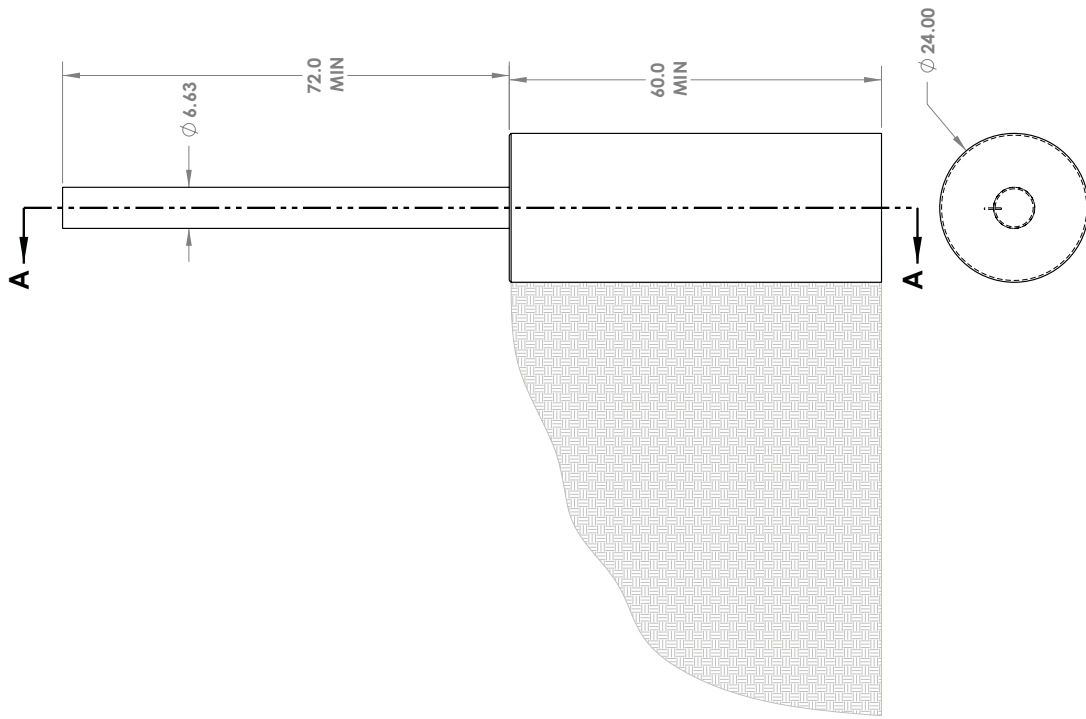




NOTES:

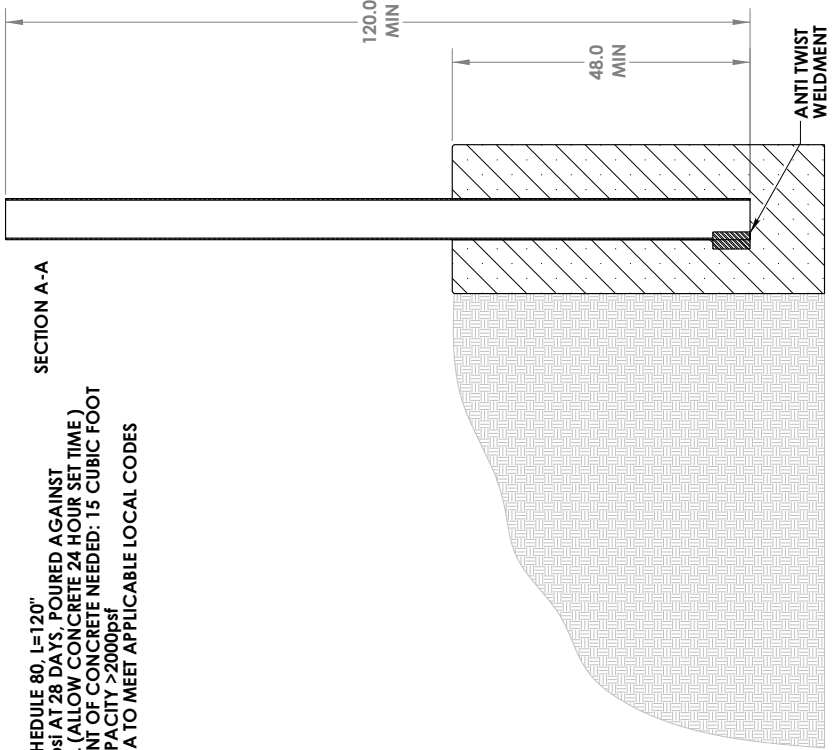
1. SOIL BEARING CAPACITY = 2000 PSF
2. CONCRETE, 3000 PSI AT 28 DAYS, POURED & VIBRATED AGAINST UNDISTURBED SOIL. ALLOW (24) HOURS FOR CONCRETE TO SET BEFORE INSTALLATION OF ANTENNA. ESTIMATED CONCRETE USAGE = 3.0 YARDS
3. USE #4 (Ø1/2) RE-BAR IN CONCRETE PAD. ESTIMATED USAGE = 160 FT.
4. ANCHOR RODS, WASHERS, AND NUTS SHALL BE GRADE 5 OR BETTER, GALVANIZED. (HDWE. & TEMPLATE KIT IS AVAILABLE)
5. WHEN THE FROST LINE IS BELOW (10) INCHES THE BASE SLAB/SOIL REQUIRES SPECIAL DESIGN CONSIDERATIONS TO PREVENT HEAVING; CONSULT A LOCAL LICENSED CIVIL ENGINEER.
6. LIGHTNING AND GROUNDING PROVISIONS PER LOCAL REGULATIONS.





- NOTES:
- 1) STEEL MAST: 6" SCHEDULE 80, L=120"
 - 2) CONCRETE: 3000psi AT 28 DAYS, POURED AGAINST UNDISTURBED SOIL (ALLOW CONCRETE 24 HOUR SET TIME)
 - 3) ESTIMATED AMOUNT OF CONCRETE NEEDED: 15 CUBIC FOOT
 - 4) SOIL BEARING CAPACITY >2000psf
 - 5) GROUND ANTENNA TO MEET APPLICABLE LOCAL CODES

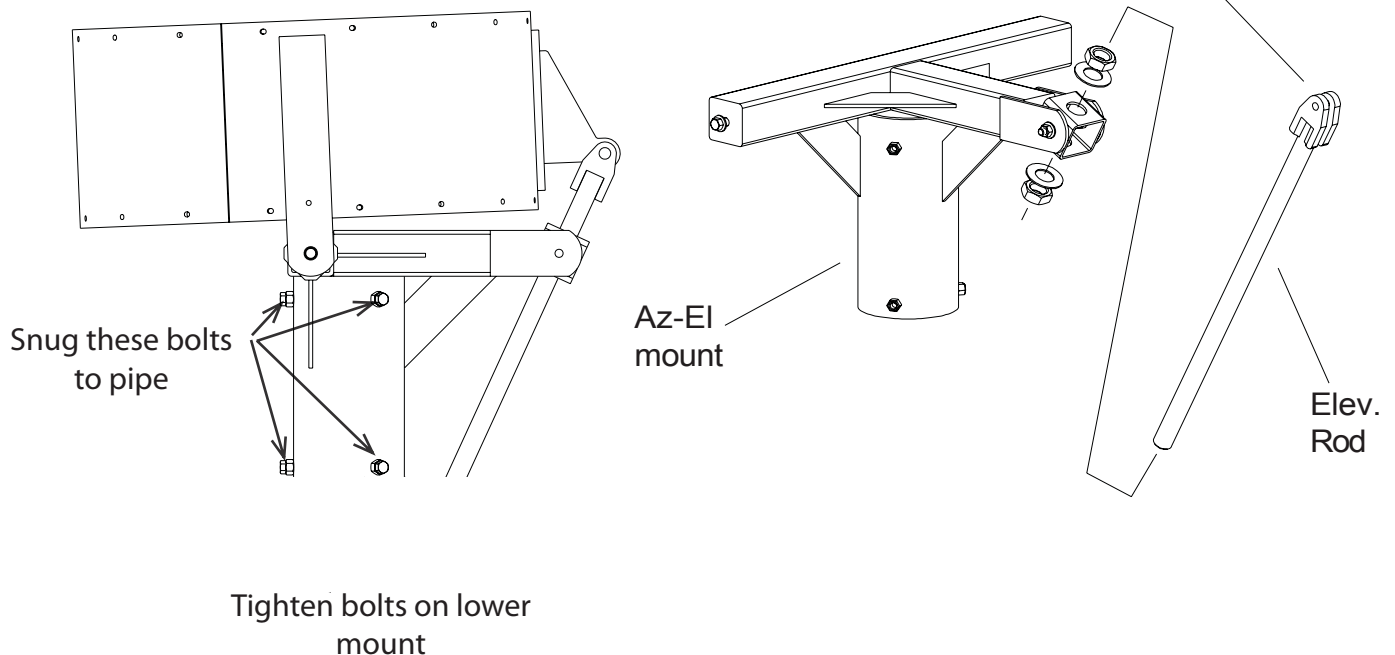
SECTION A-A



Mount Assembly

1. Place the pre-assembled Az-EI pole mount on top of the 6 5/8" OD pipe, leaving the bolts loose. (As stated on previous page)
2. Add nuts and washers from the **Az-EI Elevation** pack hardware to the Threaded Elevation Rod as shown. Thread the nut all the way up to the welded end. Insert the rod into the Anchor Block pre-assembled on the Az-EI pole mount.
3. With 2 helpers place the hub assembly in the zenith (bird bath) position on top of the Az-EI mount as shown. Insert bolts and washers to hold the hub assembly to the mount cross bar. Assemble the Threaded Elevation Rod to the hub extension as shown using pre-installed 1/2" hardware.

NOTE: You must position the hub in the position shown below or it will be unsafe to build the reflector. You will also be able to assemble the dish with out moving your ladder. With the mount pipe bolts loose the dish can spin on the pipe for ease of assembly.



Reflector Assembly

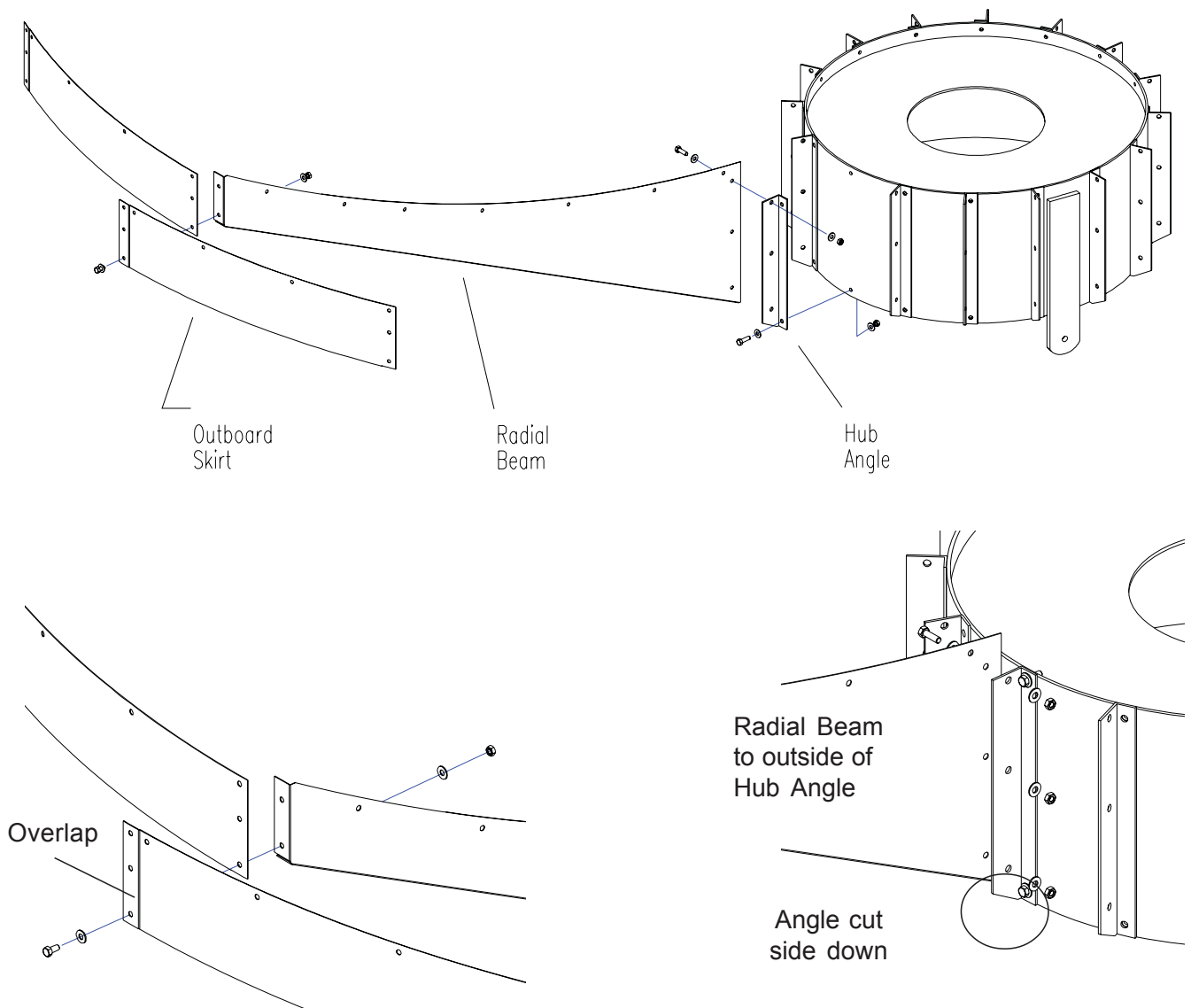
4. Install the Hub Angles to the Hub assembly using hardware labeled- **Hub Angle to Hub**, placing the angle cut leg toward the ground as shown. Use 2 bolts, 4 washers, and 2 nuts per.

5. Install the Radial Beams to the Hub Angles using hardware labeled- **Radial Beam to Hub**. Use 3 bolts, 6 washers, and 3 nuts per. Tighten this hardware as it is installed.

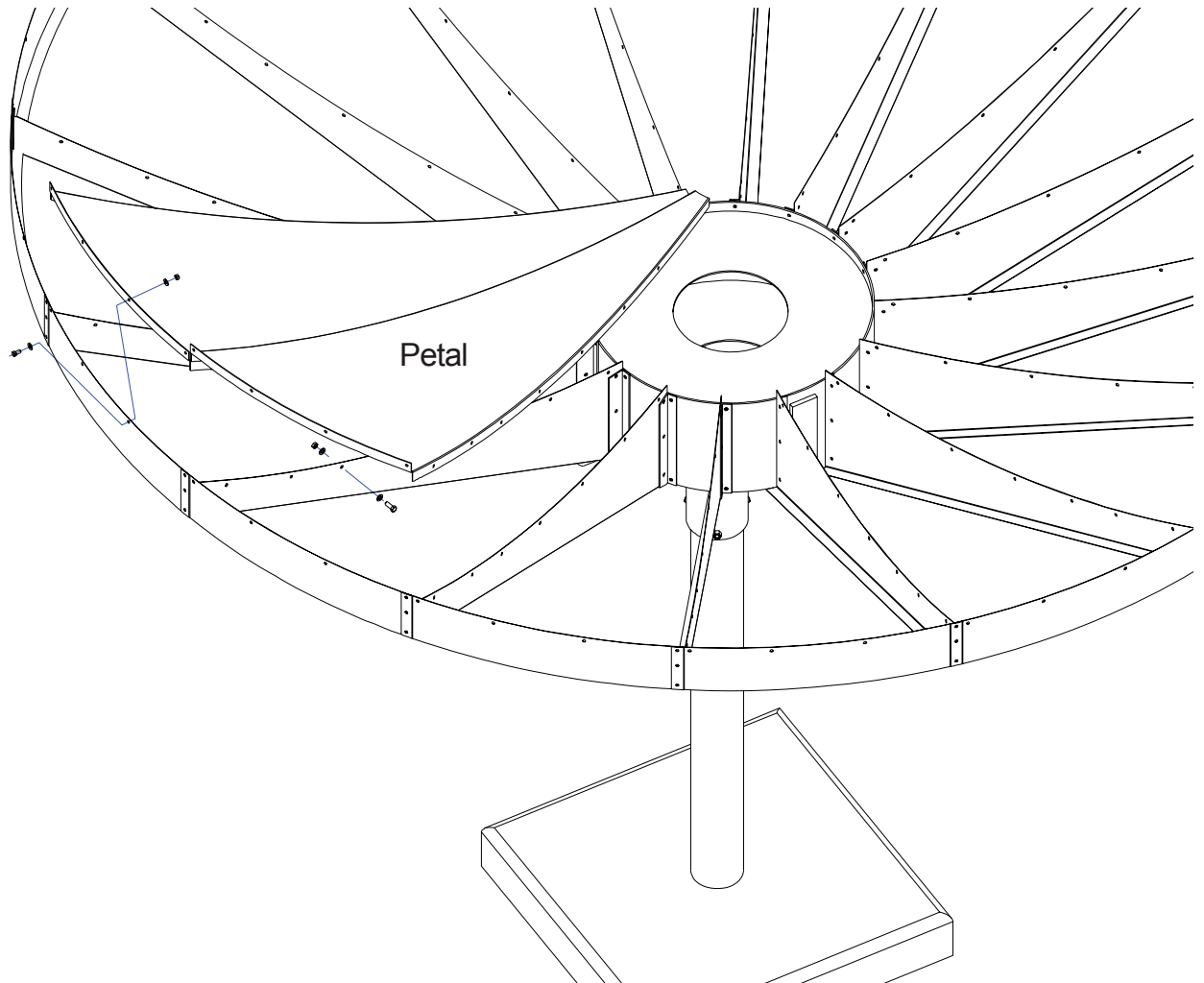
NOTE: Be sure to place the Radial Beam on the outside of the Hub angle as shown.

6. Now install all of the Outboard Skirts on the end of the Radial Beams (bent edge down) using hardware labeled **Outboard Skirt**. Leave this hardware loose.

NOTE: One end has a formed "overlap." Place this end on the outside.



7. Set in place 2 Petals between the Radial Beams. The Radial Beam will be between the flange of each Petal. Using 3 tapered alignment tools- 2 in the outermost holes, and 1 in the center hole to align the holes in the panels and radial beam, install the hardware in the remaining holes from kit labeled- **Petal to Radial Beam**. Use 1 bolt, 2 washers, and 1 nut per hole. Pull the tapered alignment tools and install that hardware. Leave hardware loose at this time. Continue installing the remaining Petals using this method.

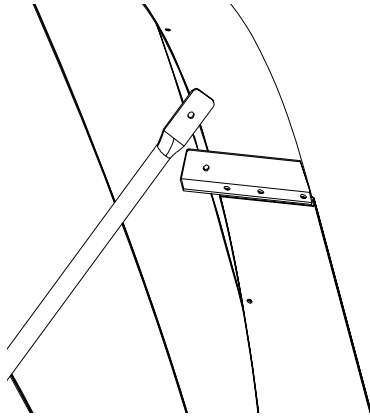


Tightening Procedure- Important!

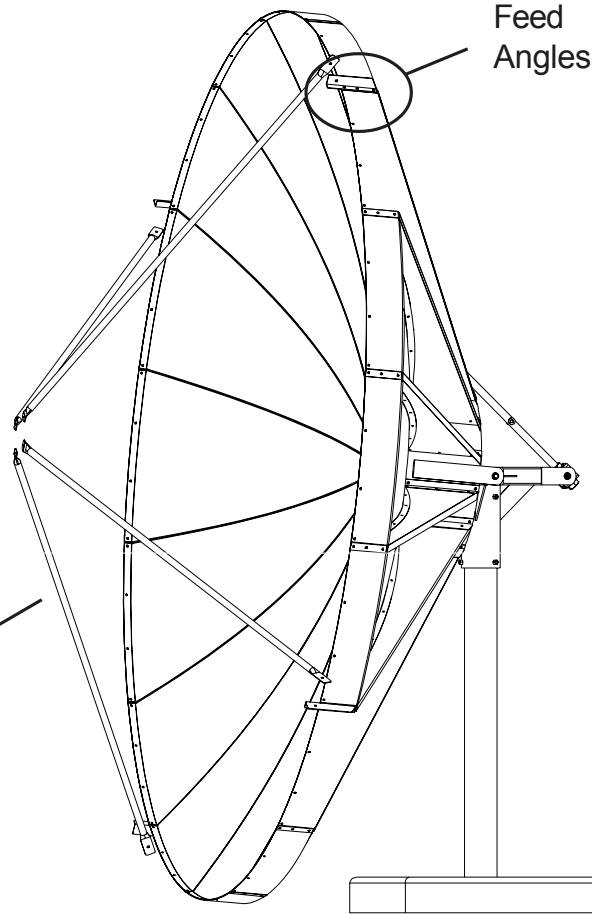
- 8. Starting at the Hub tighten all hardware by working outward 1 circular row at a time.
- 9. When all petals are tight put in the remaining hardware from the **Outboard Skirt** pack. At every 4th Radial Beam/Outboard Skirt junction include an Outboard Feed Angle as you assemble using hardware kit labeled- **Feed Strut Bottom**. Tighten hardware after you install it.

Reflector and Feed Support Assembly

10. Place the Feed Struts in place with the straight end assembled to the Outboard Feed Angles at the edge of the dish. Use **Feed Strut Top** pack hardware.



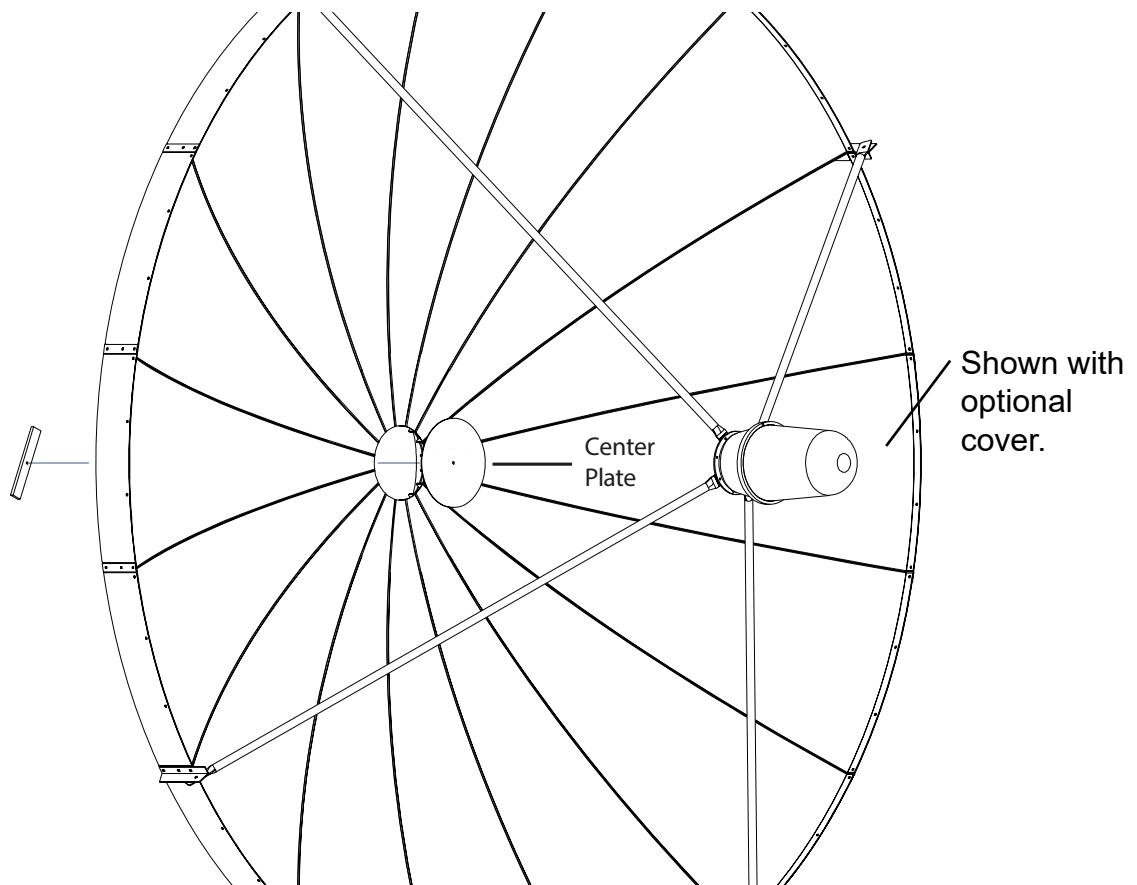
Feed Struts



11. Assemble the Feed Plate to the inside of the Feed Struts as shown using the 1/4" hardware also from the Feed Strut Top pack. Then assemble the feed scalar to the dish side of the plate using the 4 slotted holes with the feed cover bottom half to the opposite side of the plate.

13. With a helper place the center plate in place in the center of the opening of the petals using hardware from **Center Plate** pack. From behind place the back brace through the hub center across the hub opening. Tighten the nut on the bolt being careful not to overtighten which could crush the petals.

NOTE: If you need to climb into the dish be sure to place your feet along the Radial Beams and not into the center areas of a panel!



The antenna assembly is now complete. To adjust the antenna toward the selected satellite you must first know its elevation angle above horizon. This will be the reference angle for the face of the antenna. Using an inclinometer on the face of the antenna pre-adjust the desired angle using the 2 nuts of the threaded rod on each side of the lower pivot block on back of the mount. Tighten the Az-El pipe head bolts only enough to allow rotation of the mount on the ground pipe. Knowing the azimuth angle of the satellite from due south roughly aim the antenna in that direction. With the LNB connected to the proper sight-in equipment the antenna can be accurately adjusted to the satellite signal. Tighten all hardware.

Antenna Pointing

- 1) Begin by obtaining the correct Az/El pointing data for the satellite of interest based upon your site location.
- 2) Using an inclinometer or position readout form controller placed on the enclosure drum surface, position the antenna to the specified elevation angle.
- 3) Manually scan the antenna (back-and-forth in the azimuth around the direction of the specified azimuth angle) to achieve the maximum transponder signal.
- 4) Next repeat the procedure for elevation.
- 5) Repeat this procedure alternating between the azimuth and elevation until maximum transponder signal is achieved.